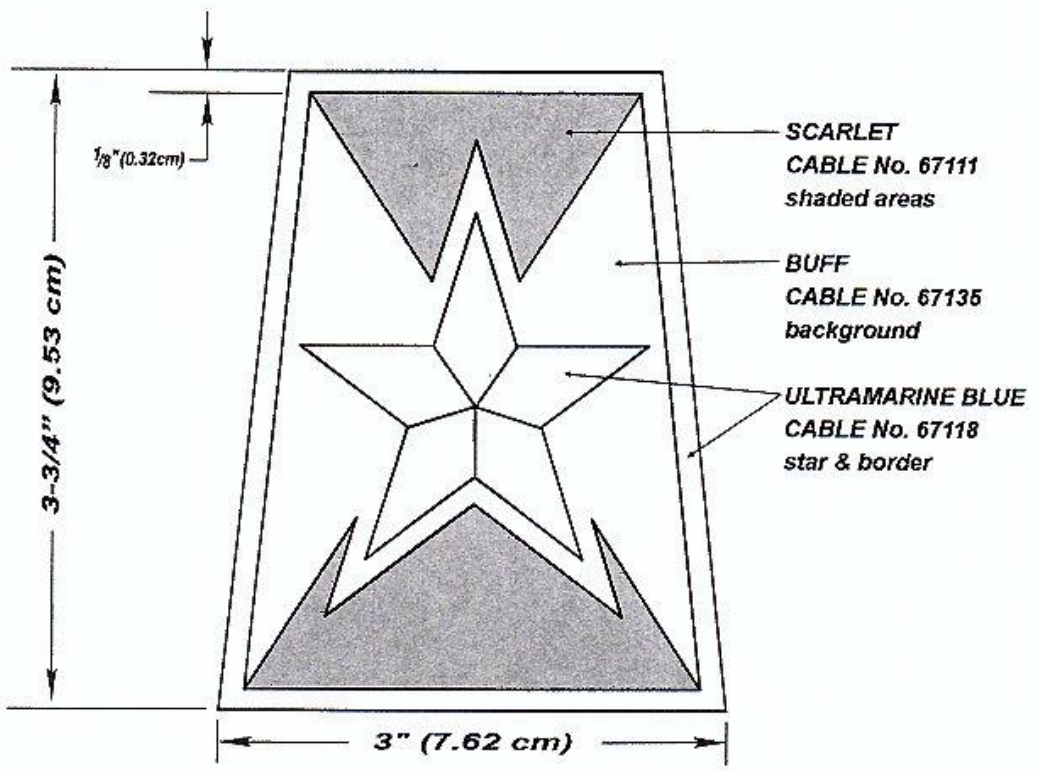


FOR SUBDUED INSIGNIA
 ACU:
 ULTRAMARINE BLUE AND SCARLET
 AREAS TO BE BLACK 67138. BUFF TO
 BE FOLIAGE GREEN 67202.

REVISIONS			
LTR	DESCRIPTION	DATE	APPROVED



DESIGNED FOR OVEREDGE STITCHING

STITCH COUNT

UNLESS OTHERWISE SPECIFIED DIMENSIONS ARE IN INCHES TOLERANCES ON FRACTIONS DECIMALS ANGLES

MATERIALS:
 TO BE MANUFACTURED IN ACCORDANCE WITH MIL-DTL-14652

EXAMINED	TCC
CHECKED	JAN SOD
PREPARED	R
APPROVED	<i>Charles V. Mugno</i> CHARLES V. MUGNO DIRECTOR

THE INSTITUTE OF HERALDRY, DEPARTMENT OF THE ARMY			
9325 GUNSTON RD, RM S-113 FORT BELVOIR, VA 22060-5679			
SHOULDER SLEEVE INSIGNIA			
635TH SUPPORT GROUP			
SIZE	CONTROL IDENT. NO	A - 1 - 1076	
A	22571		
SCALE	FULL	DATE	5 JUNE 2012